

Dear Customer,

This Quick Start Guide is enclosed with detailed washing machine operating instructions. Before using the appliance carefully read the Operating Instructions, especially guidelines for safe use.

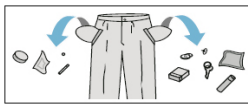
Before plugging your appliance into the mains power, remove the transport bolts and level the appliance. Do not start the washing machine before it is properly set up.

Only wash delicate fabrics, synthetics, wool using

designated programs. Only load such fabrics according a table of the maximum load sizes (see page 2).

The correct appliance operation extends its lifetime so make sure the drum seal is dry (leave the door ajar after washing). Clean the appliance with mild cleaning agents, do NOT scrub with abrasive agents.

1 Before you start washing



- Empty pockets
- Close all zips and button up duvet covers.
- Wash delicate and small items in a protective mesh laundry bag.
- Open the appliance door by pressing the handle on the inside.
- Insert the sorted clothes into the washing machine:
 - Cotton — max full drum.
 - Synthetics — max 1/2 of the drum.
 - Silk, wool — max 1/3 of the drum.
- Close the door, press firmly against the seal.

2 Add detergent

- Open the detergent drawer by pulling the handle.
- Pour the recommended dose of washing detergent into the appropriate compartment of the detergent drawer.
- Add fabric conditioner to the appropriate compartment if required.
 - || MAIN WASH detergent.
 - ⊗ Fabric softener or other special care liquids
 - I PREWASH detergent.

3 Select a washing programme

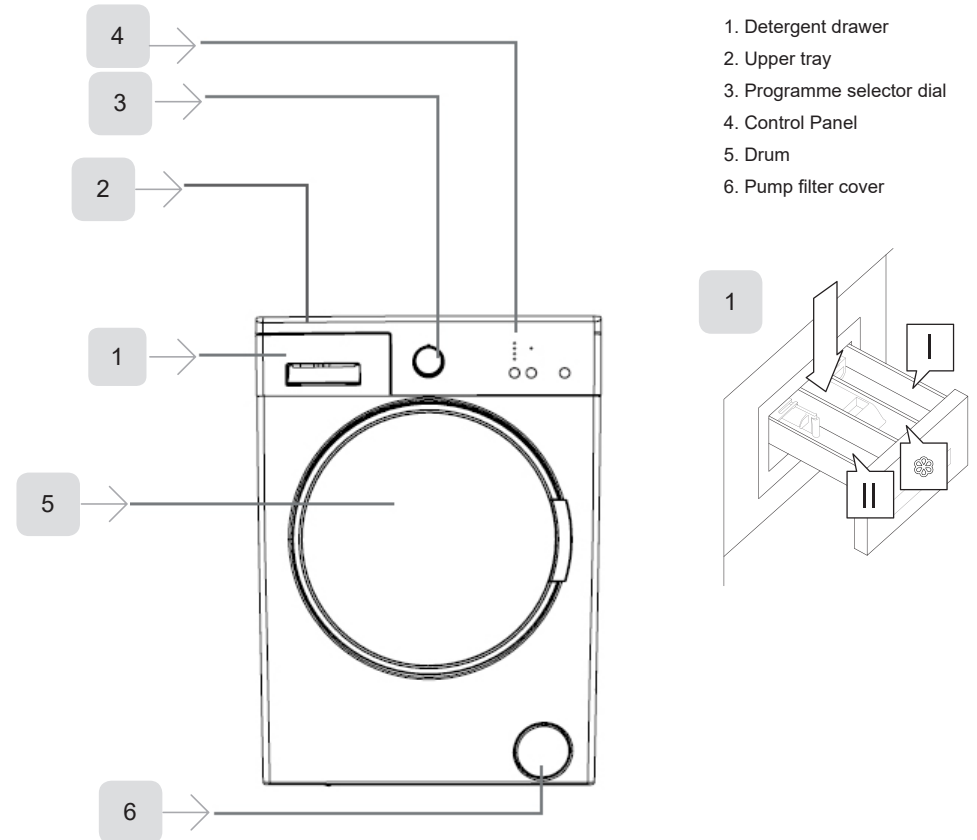
- Set the programme selector knob to the desired programme.
- Customize the programme to your needs — you can change the temperature, spin speed, or enable additional features.
- Select additional functions - described in the "Table of programmes" (see page 2).

4 Select START

- Close the appliance door.
- Turn the programme selector to the selected programme (see page 2).
- Select additional functions or wash cycle parameters as required – according to your needs.
- Then press the START/ PAUSE button

5 End of the wash

- At the end of the programme, the washing machine will stop automatically. The End of Programme LED will flash on the display.
- Close the water valve.
- Turn washing machine off.
- Unplug the appliance from the wall outlet.
- Open the door and remove laundry. Once clothes are removed, leave the door slightly ajar to allow the drum seal to dry before the door is closed properly. Leave the detergent drawer compartment slightly ajar to allow it to dry.



1. Detergent drawer
2. Upper tray
3. Programme selector dial
4. Control Panel
5. Drum
6. Pump filter cover

Note! Small size and delicate fabrics should be washed in protective nets (e.g. stockings, dye-trapping in-wash cloths).

TABLE OF PROGRAMMES: WA 462 030

ITEM	Programme name	The default temperature [°C]	Default spin speed [RPM]	Max. load [kg]	Additional functions available	Detergent drawer			Time [h:min]	Power consumption [kWh]	Water consumption [l]	Number of rinses	Type of laundry
						Rapid Wash	Prewash ^I	Main wash ^{II}					
1	Towels	90°	1000	6.0	✓	✗	●	○	02:59	2,22	69	3	Heavily soiled cotton or linen laundry. (Linen, bed linen, table linen, towels (max 3.0 kg), sheets, etc.
2	Cotton	60°	1000	6.0	✓	●	●	○	02:44	1,23	75	3	Soiled cotton or linen laundry. (Linen, bed linen, table linen, towels (max 3.0 kg), sheets, etc.
3	Cotton 60°C	60°	1000	6.0	✓	✗	●	○	03:20	0,81	49	2	Soiled cotton or linen laundry. (Linen, bed linen, table linen, towels (max 3.0 kg), sheets, etc.
4	Eco 40-60	40°	1000	6.0	✓	✗	●	○	03:13	0,65	43	2	The "Eco 40-60" programme is used to wash normally soiled cotton fabrics, which can be washed at 40°C or 60°C in the same cycle.
5	Cotton 20°C	20°	1000	3.0		✗	●	○	01:36	0,19	38	2	Use this programme to wash clothes at 20°C.
6	Synthetics	40°	800	3.0	✓	✗	●	○	01:50	0,49	39	2	Use this programme to wash colour fabrics, cotton, synthetics, and linen.
7	Wool	30°	600	2.0		✗	●	○	00:39	0,14	40	3	Woolen clothes that are machine washable.
8	Rinse	Cold water	1000	6.0		✗	✗	○	00:36	0,09	39	3	You can use this programme for all types of clothes, if you need to perform an additional rinse after washing the clothes.
9	Spin	Cold water	1000	6.0		✗	✗	✗	00:15	0,05	-	-	You can use this programme for all types of clothes, if you need to perform an additional spin cycle after washing the clothes.
10	Hand wash	30°	600	2.0		✗	●	○	01:30	0,32	65	3	Recommended for washing delicate or hand-washable clothes.
11	Colours	40°	800	3.0	✓	✗	●	○	03:15	0,26	37	2	Sportswear.
12	Jeans	30°	800	3.0	✓	✗	●	○	01:21	0,28	48	2	Use this programme to wash your denim garments.
13	Shirts	60°	600	3.0	✓	✗	●	○	01:47	0,83	35	2	This program can be used for simultaneous washing of cotton shirts and blouses together with synthetic and mixed fabrics.
14	Quick 60'	60°	1000	3.0	✓	✗	●	○	01:00	0,86	31	1	Use this programme to wash cotton, coloured and linen fabrics at 60°C within 60 minutes.
15	Express	30°	800	2.0	active by default	✗	●	○	00:15	0,12	28	1	Use this programme to wash lightly soiled cotton, coloured and linen items within 15 minutes.

* The "Eco 40-60" programme is used to wash normally soiled cotton fabrics, which can be washed at 40°C or 60°C in the same cycle.

NOTE: Real water temperature may differ from the declared wash cycle temperature.

** The most efficient programmes in terms of energy and water consumption are generally those that are run at lower temperatures and for longer time.

NOTE: Above mentioned time is an estimate and may differ from actual wash cycle time, depending on temperature, water pressure, load size, etc.

*** You will save energy and water by loading your household appliance to the full capacity indicated by the manufacturer for the appropriate programmes.

The time is automatically updated during wash cycle. Displaying the same time for an extended period or abrupt changes are normal.

○ Use detergent or fabric softener if necessary,

● Detergent required, without which washing will be ineffective.

✗ Do not use detergent or fabric softener.