

**Dear Customer,**

This Quick Start Guide is enclosed with detailed dryer operating instructions. Before using the appliance carefully read the Operating Instructions, especially guidelines for safe use.

Level the appliance before connecting it to a wall socket. Do not start the dryer before it is properly set up.

Only dry delicate fabrics, synthetics, wool using designated programs. Only load such fabrics according a table of the

maximum load sizes (see page 2).

The correct tumble dryer operation extends its lifetime so make sure the drum seal is dry (leave the door ajar after drying). Do not clean your tumble dryer with harsh or abrasive detergents.

**1 Before drying**

- Spin the laundry in the washing machine before tumble drying. The high spin speed can reduce the drying time and save energy.
- To make sure the drying results are uniform, sort the laundry by fabric type and drying programme. Before the drying close the locks, hooks and buttons, fasten the belts, etc.
- Do not over-dry clothes, as they can easily crease. Do not dry rubber and elastic materials.
- To prevent skin scalding caused by steam or hot appliance components, only open the door after the drying programme has been completed. To avoid extended drying cycles and increased energy consumption, clean the appliance filters after each use.  
Do not dry clothes after dry cleaning.  
Select the correct programme to refresh woollen clothing to make the fabric fresh and fluffy.

**2 Programme selector knob**

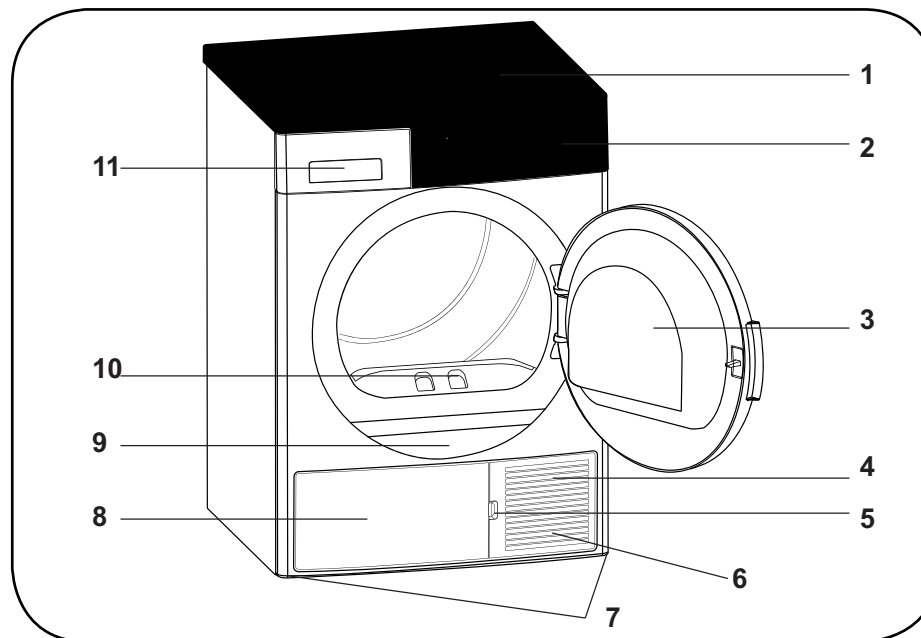
- Use the programme selector knob to select the desired drying programme
- Selectable functions: [Delayed start], [Drying level], [Delicates], [Anti-Crease].
- Touch

**3 Start a programme**

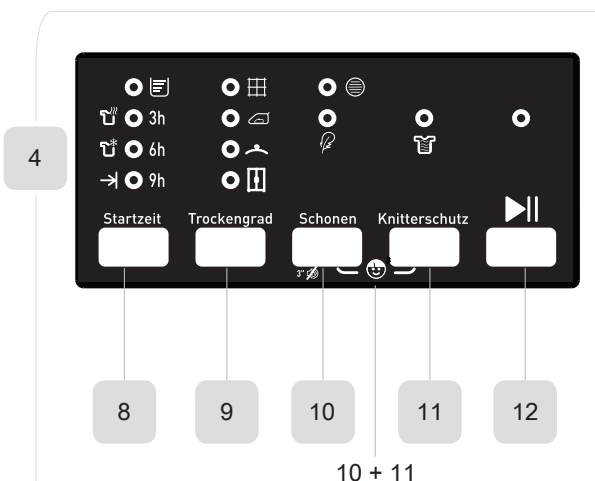
- The Start / Pause indicator will flash when you select a programme. To start the programme, press the Start / Pause button. The Start / Pause indicator indicates that the programme has started and the drying indicator lights up.
- If you open the door while the programme is running, the appliance switches to standby. To resume the programme, close the door and press the Start / Pause button.
- Do not open the door while the programme is running. If you need to open the door, do not keep it open for a long time.

**4 End programme**

- At the end of the programme, the Start / Pause, water container full, clean the lint filter and clean the heat exchanger indicators will light up.
- You will also hear a beep when the programme ends.
- You can remove the laundry and prepare the appliance for a new cycle.





- 1. Top
- 2. Control Panel
- 3. Door
- 4. Base
- 5. Base access opening
- 6. Ventilation grates
- 7. Adjustable feet
- 8. Bottom cover
- 9. Name Plate
- 10. Lint filter
- 11. Drawer cover



- 8. Delay Start button
- 9. Drying level
- 10. Delicates
- 11. Anti-Crease
- 12. Start/Pause button
- 10+11. Child Lock

TABLE OF PROGRAMMES: WTK 487 030

ITEM	Programme name	Max. load [kg]	Application/Property	Delayed Start	Mute beeping	Child Lock	Drying level	Anti-Crease	Delicate	Default spin speed [RPM]	Approximate residual humidity	Time [h:min]
1	Cotton Extra dry	8.0	Use this programme to dry thick and multi-layer fabrics, such as cotton towels, bedsheets, pillowcases, bathrobes at normal temperature and put away the dry laundry in the cupboard.	Y	Y	Y	Y	Y	V	1000	60%	02:12
2	Cotton Cupboard Dry 	8.0	Use this programme to dry cotton pyjamas, underwear, tablecloths etc. are dried, and put away the dry laundry in the cupboard.	Y	Y	Y	Y	Y	V	1000	60%	02:09
3	Cotton Iron Dry	8.0	Use this programme to dry cotton items and have them ready for ironing. The laundry removed from the dryer will be slightly damp.	Y	Y	Y	Y	Y	V	1000	60%	01:47
4	Synthetics Cupboard Dry	4.0	Use this programme to dry laundry made of synthetic fabrics such as shirts, T-shirts, blouses and put away the dry laundry in the cupboard.	Y	Y	Y	Y	Y	V	800	40%	00:51
5	Synthetics Iron Dry	4.0	Use this programme to dry laundry made of synthetic fabrics such as shirts, T-shirts, blouses and have the items ready for ironing. The laundry removed from the dryer will be slightly damp.	Y	Y	Y	Y	Y	V	800	40%	00:38
6	Delicates	2.0	Use this programme to dry delicate laundry as shirts, blouses and silk garments at low temperature so that they are ready to wear.	Y	Y	Y	-	Y	V (default)	600	50%	00:39
7	Mix	4.0	Use this programme to dry laundry made of mixed cotton-synthetic fibres that do not become discoloured so that they are ready to wear.	Y	Y	Y	Y	Y	V	1000	60%	01:15
8	Baby	3.0	Use this programme is for drying delicate children's clothing so that it is ready to wear.	Y	Y	Y	Y	Y	V	1000	60%	01:00
9	Jeans	4.0	This programme is used to dry jeans.	Y	Y	Y	Y	Y	V	1200	60%	01:25
10	Specific Duration Drying 60 min	-	To achieve the required drying level at low temperature, use the Specific Duration Drying programmes 60 minutes. Regardless of the level of dryness, the programme stops after a specific Duration.	Y	Y	Y	-	Y	-	-	-	01:00
11	Specific Duration Drying 30 min	-	To achieve the required drying level at low temperature, use the Specific Duration Drying programmes 30 minutes. Regardless of the level of dryness, the programme stops after a specific Duration.	Y	Y	Y	-	Y	-	-	-	00:30
12	Specific Duration Drying 10 min	-	To achieve the required drying level at low temperature, use the Specific Duration Drying programmes from 10 minutes. Regardless of the level of dryness, the programme stops after a specific Duration.	Y	Y	Y	-	Y	-	-	-	00:10
13	Refresh	-	Use this programmes air and refresh the laundry for 10 minutes, without applying any heat	Y	Y	Y	-	Y	-	-	-	--
14	Express 29'	2.0	Use this programme dry for 29 minutes 2 kg of cotton, delicate shirts that were spun at a high speed in the washing machine	Y	Y	Y	-	Y	-	1200	50%	00:29
15	Shirts 12'	0.5	Use this programme to dry 2 or 3 shirts and have them ready to iron in 12 minutes.	Y	Y	Y	-	Y	-	1200	50%	00:12

**Note:**  This symbol indicates the programme used to determine the energy efficiency of the "standard cotton program," which is most suitable for drying the normal load of cotton products, in accordance with Regulation 392/2012/EU. Thick and multi-layered fabrics, eg. linens, jeans and denim clothing, are difficult to dry. In this case, it is better to use the Cotton Extra programme or the "Drying level" function. Thick, multilayer clothes are difficult to dry, so you should choose the suitable programmes with the appropriate drying time. All data measured in accordance with EN 61121.

Actual energy consumption may differ from the values given in the table, depending on the load, type of fabric, residual moisture and selected functions.